



Sika Pathway Channel Cover Set Guidelines for Installation

Aluminium Security Access Cover Set

Class B

Standards: Access Cover Set: AS 3996:2006

Class B- Pathway Load Strength

Available Sizes

700 x 600

1200 x 600

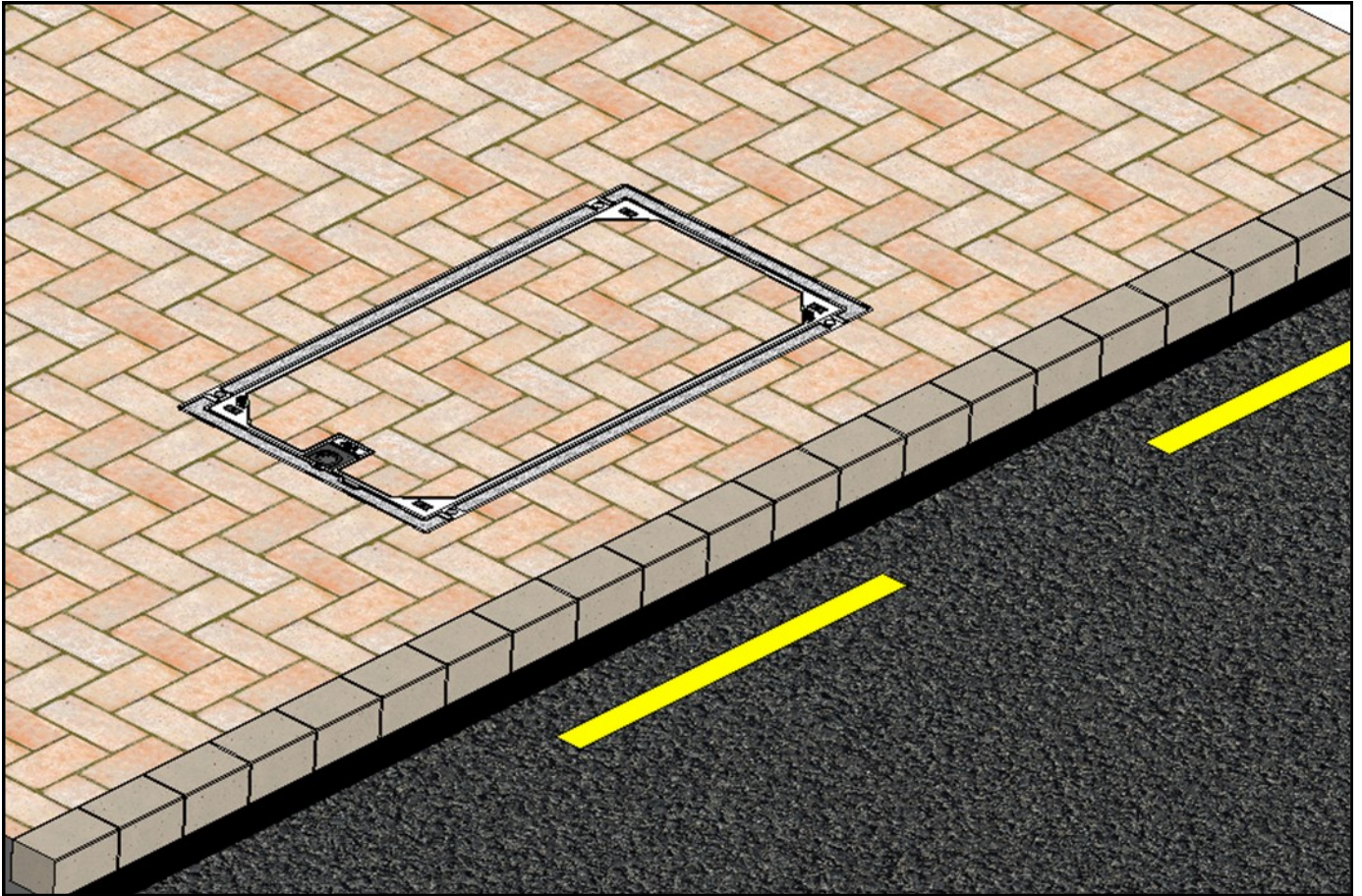
2100 x 600

2600 x 600

1200 x 1200

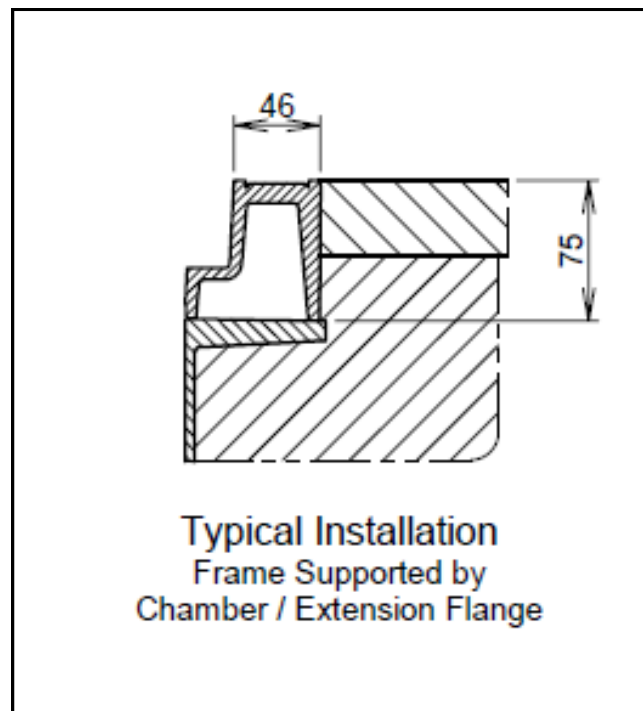
2100 x 1200

2600 x 1200



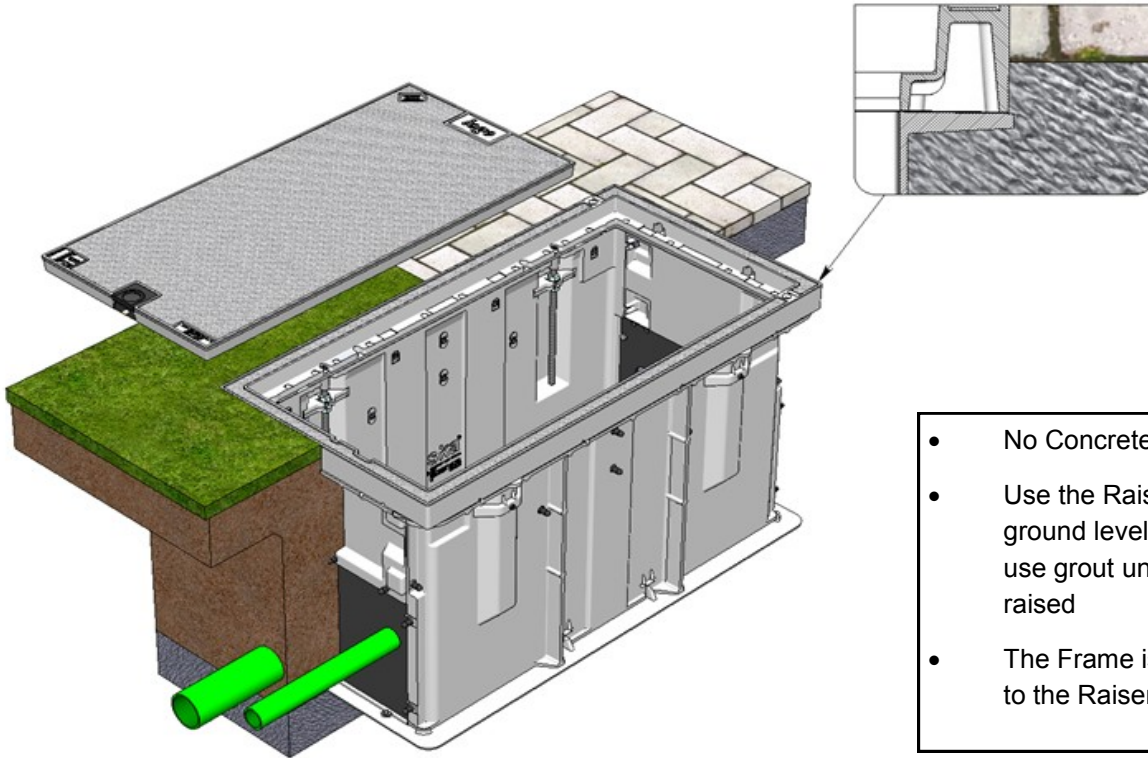
Pathway Infill Paver

COVER SET RATING: CLASS B - 80 kN - AS3996:2006



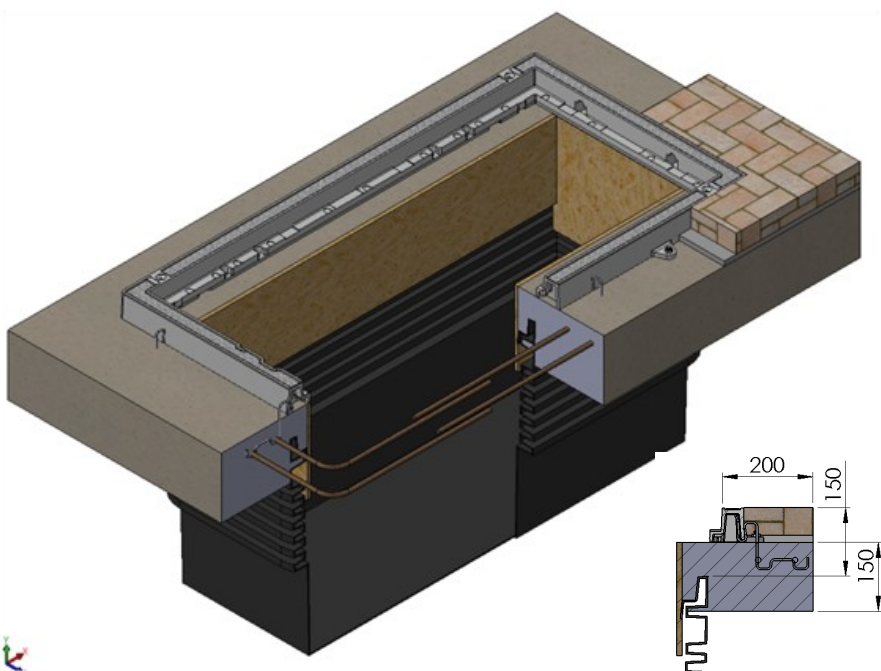


OPTION 1 – Aluminium Cover, Frame and Pit



- No Concrete is required
- Use the Raiser Rods for ground level adjustment and use grout under the Frame if raised
- The Frame is bolted directly to the Raiser Rods

OPTION 2 – Aluminium Cover, Frame and Plastic Pit



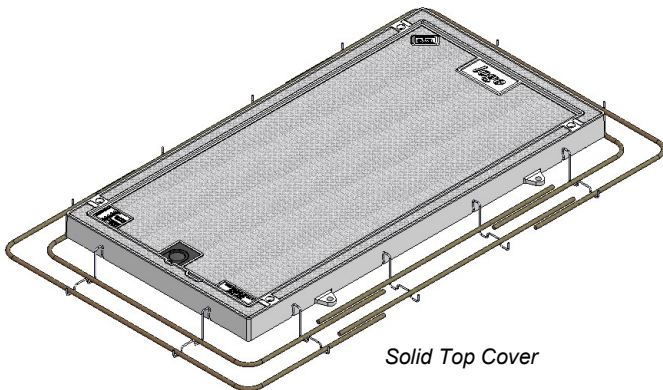
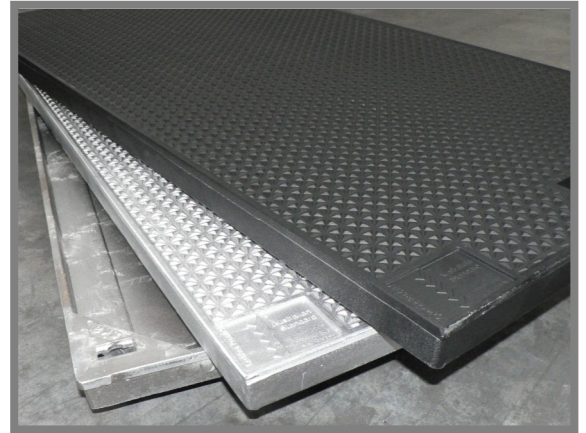
- Sika aluminium Cover Set with Kitset Reinforced Steel on Plastic Pit. New or retrofit.
- For retrofit cut Plastic Pit a minimum of 150mm down from surface level.
- Make formwork to the base of the aluminium channel Frame for a minimum concrete collar 200mm wide x 150mm height.
- Use 4- M12 x 100 concrete anchor bolts or similar to anchor frame though bolt down lugs



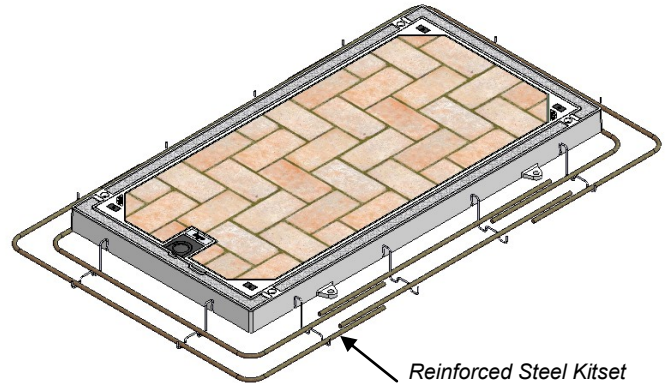


Aluminium Cover Features

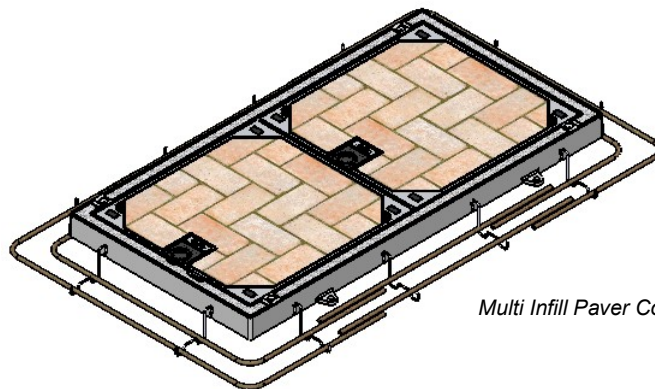
- Compliant with AS 3996: 2006 Class B 80kN, Pathway
- Slip resistant, compliant with Class W slip resistance in accordance with AS NZS 4586:2004
- Available in Paver infill, and Natural Aluminium and Charcoal Solid Top
- StandardsMark “5 Ticks” Product Certification approved
- Lock block security with customer specific security and logos available.
- Security key lifter required for operation
- Lightweight covers not exceeding 27kg



Solid Top Cover



Reinforced Steel Kitset



Multi Infill Paver Cover Optional

Sika Technology Limited

5 Carpenter Road, East Tamaki, Auckland, New Zealand

PO Box 58-491, Botany, Auckland 2163, New Zealand