

Polynova PC



INDEX

[Leaflet](#)
[Catalogue Information](#)
[Technical Drawings](#)

WEB LINKS

[Polynova PC Information Page](#)
[Ask a question / Send us an enquiry](#)
[Information about B&R](#)
[Local Sales Team Phone Numbers](#)

Features

- Protection rating – IP66
- Approvals
CE marked
- Grade V-1, self extinguishing non-dripping, and conform to IEC695-2-1
- Easy mounting with no compromise to the IP rating
- Provision for a authority seal
- Insulated mounting pan
- Thermoplastic screws
- Weather and chemical resistant
- Transparent lid options
- UV stabilised



OVERVIEW

The Polynova PC is a cost effective IP66, non-metallic enclosure with a wide range of accessories. With excellent resistance to mechanical impact and aggressive chemicals, the Polynova PC is still easy to drill, punch, saw or file. It is easy to install and maintain with raised mounting points to prevent build up of materials behind the enclosure body.

APPLICATION

Typical applications include housing terminations and electrical components for low voltage control systems and distributions.

MATERIALS

- Opaque parts – Glass reinforced polyester or polyamide
- Transparent parts – polycarbonate
- Surface finish – Natural RAL7035

INCLUSIONS

- Insulated mounting pan



Polynova PC

SELECTION GUIDE

Opaque	Transparent	Dimensions (mm)				Usable Depth	Weight (kg)
		Height	Width	Depth	Cover Depth		
PC131313*	PC131313T*	135	135	130	23	95	0.6
PC181313*	PC181313T*	180	135	130	23	95	0.8
PC271313*	PC271313T*	270	135	130	23	95	1.1
PC181813*	PC181813T*	180	180	130	23	95	1.0
PC271817	PC271817T	270	180	170	45	135	1.7
PC361817	PC361817T	360	180	170	45	135	2.2
PC272717	PC272717T	270	270	170	45	135	2.3
PC362717	PC362717T	360	270	170	45	135	2.9
PC542717	PC542717T	540	270	170	45	135	4.1
PC363617	PC363617T	360	360	170	45	135	3.6
PC543617	PC543617T	540	360	170	45	135	5.7
PC545417	PC545417T	540	540	170	45	135	8.1
PC362720	PC362720T	360	270	205	75	170	3.2
PC542720	PC542720T	540	270	205	75	170	5.0
PC363620	PC363620T	360	360	205	75	170	3.9
PC543620	PC543620T	540	360	205	75	170	6.1
PC723620	PC723620T	720	360	205	75	170	7.9
PC545420	PC545420T	540	540	205	75	170	8.6
PC725420	PC725420T	720	540	205	75	170	11.1

* Opaque parts material is polyimide

ACCESSORIES

Product	Description	Catalogue No.
Mounting pan – insulated	142 x 97 x 3mm	PCBB1813
	142 x 142 x 3mm	PCBB1818
	234 x 98 x 3mm	PCBB2713
	220 x 130 x 3mm	PCBB2718
	220 x 220 x 3mm	PCBB2727
	220 x 310 x 3mm	PCBB2736
	310 x 310 x 3mm	PCBB3636
	490 x 220 x 3mm	PCBB5427
	490 x 310 x 3mm	PCBB5436
	490 x 490 x 3mm	PCBB5454
Viewing window – hinged	670 x 310 x 3mm	PCBB7236
	670 x 490 x 3mm	PCBB7254
	4 module 94 x 77 x 16mm	PCHW4
	4 module (deep lid) 94 x 77 x 25mm	PCHW4H
	6 module 130 x 77 x 16mm	PCHW6
	6 module (deep lid) 130 x 77 x 25mm	PCHW6H
	8 module 163 x 77 x 16mm	PCHW8
	8 module (deep lid) 163 x 77 x 25mm	PCHW8H
	10 module 200 x 77 x 16mm	PCHW10
	10 module (deep lid) 200 x 77 x 25mm	PCHW10H
Wall mounting brackets	12 module (deep lid) 233 x 77 x 25mm	PCHW12H
	24 module 233 x 196 x 13mm	PCHW24
	36 module 235 x 247 x 13mm	PCHW36
	316 stainless steel (4)	MEB/S



Mounting pan – insulated



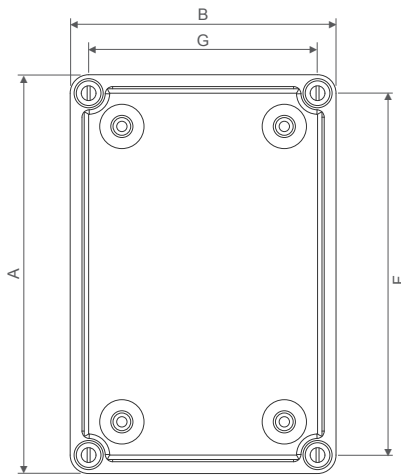
Wall mount brackets

Queensland P +61 7 3714 1000
 Townsville P +61 7 4775 6255
 Sydney P +61 2 8867 7688
 Newcastle P +61 2 4961 4433
 Victoria P +61 3 8588 8400
 South Australia P +61 8 8417 6200

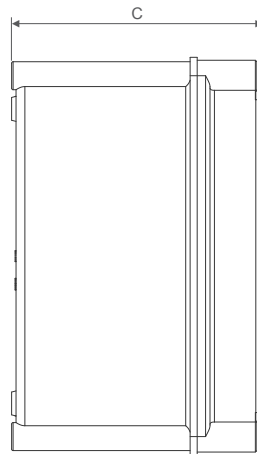
Western Australia P +61 8 9248 9744
 Tasmania P +61 3 6331 5545
 Northern Territory P +61 8 8947 0870
 sales@brenclosures.com.au
 brenclosures.com.au



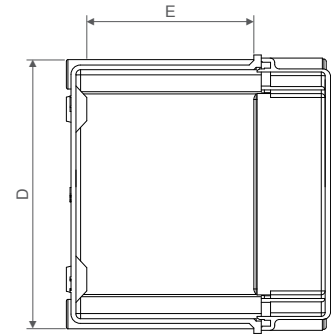
Technical Drawings



Front View



Side View



Bottom View

Catalogue No.	Dimensions (mm)						
	External		Internal		Mounting Centres		
	A	B	C	D	E	F	G
PC131313	135	135	130	107	95	115	115
PC181313	180	135	130	107	95	155	115
PC271313	270	135	130	107	95	245	115
PC181813	180	180	130	107	95	155	155
PC271817	270	180	170	125	135	245	155
PC361817	360	180	170	125	135	335	155
PC272717	270	270	170	125	135	245	245
PC362717	360	270	170	125	135	335	245
PC542717	540	270	170	125	135	515	245
PC363617	360	360	170	125	135	335	335
PC543617	540	360	170	125	135	515	335
PC545417	540	540	170	125	135	515	515
PC362720	360	270	205	130	170	335	245
PC542720	540	270	205	130	170	515	245
PC363620	360	360	205	130	170	335	335
PC543620	540	360	205	130	170	515	335
PC723620	720	360	205	130	170	690	335
PC545420	540	540	205	130	170	515	515
PC725420	720	540	205	130	170	690	515