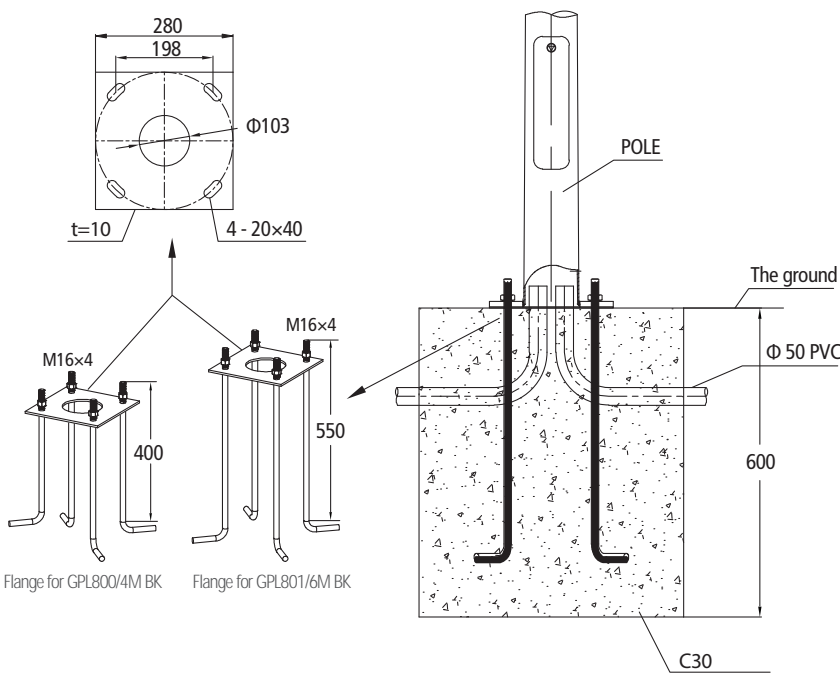


POLE **GPL800/4M AND GPL801/6M**

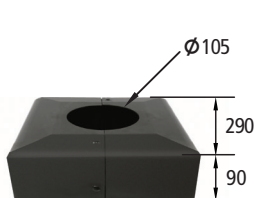
FEATURES

- GPL800/4M BK: 4m pole, Q235 steel pipe
- GPL801/6M BK: 6m pole, Q355 steel pipe
- Reinforced flange with stiffening ribs for enhanced structural strength and stability
- Surface treatment: Hot dip galvanisation with thickness of 80-100µm and anti-ageing electrostatic spray processing with super resistance to corrosion
- Ultimate support weight: 250KG
- Customised colour or lengths are available
- Yield strength: 235 MPa
- Tensile strength: 420 MPa
- Maintenance: Maintenance-free

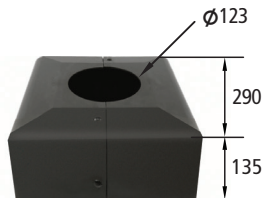
FOUNDATION



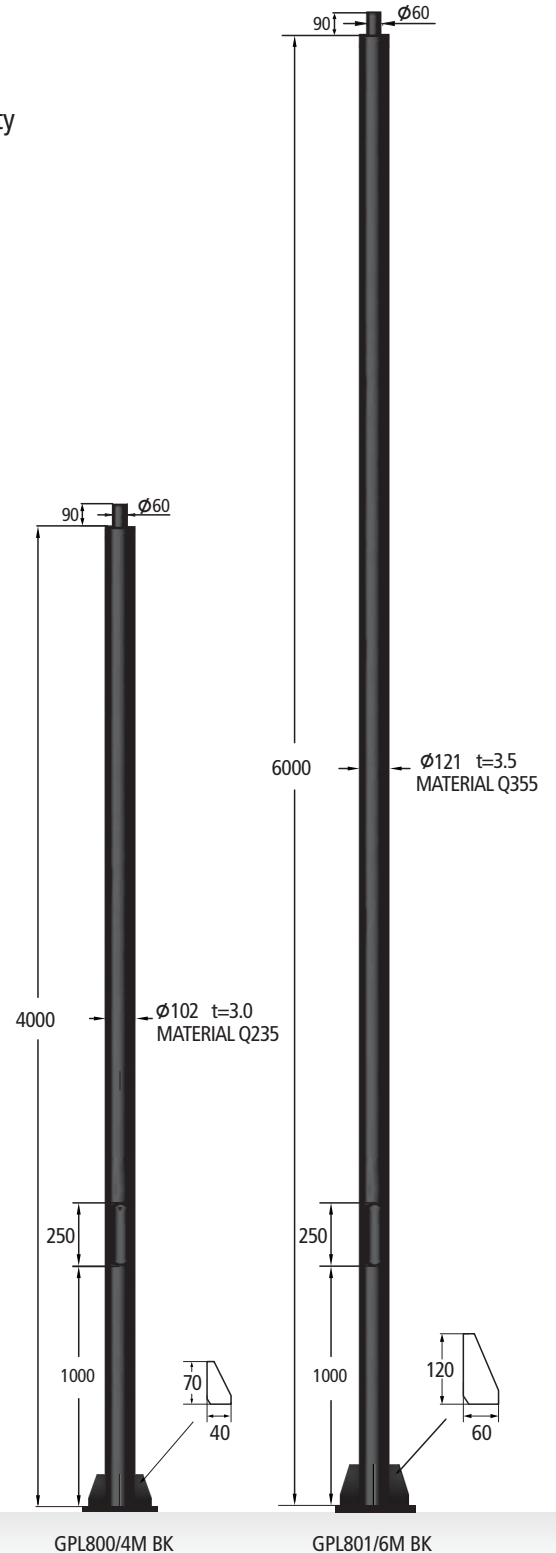
BASE COVER



GPL800/4M BASE COVER BK
(Order separately)



GPL801/6M BASE COVER BK
(Order separately)



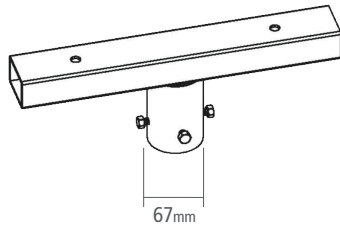
GPL800/4M BK

GPL801/6M BK

Unit: mm

ACCESSORIES

Customised floods bracket



- Material: Q235 steel
- Surface treatment: Hot dip galvanisation with thickness of 80-100µm and anti-ageing electrostatic spray processing with super resistance to corrosion. Customised colour or lengths are available

Stock item code (Suitable for Bright Star and Marina floods)

MODEL NO.	DIMENSIONS
<p>GPL800 SINGLE T BRACKET BK</p>	<p>Unit: mm</p>
<p>GPL800 TWIN T BRACKET BK</p>	<p>Unit: mm</p>

Stock pole adaptor (two standard sizes in stock). Customised sizes available on request.

MODEL NO.	DIMENSIONS
<p>GPL800/ADAPTOR60-80</p>	<p>Unit: mm</p>
<p>GPL800/ADAPTOR 60-92</p>	<p>Unit: mm</p>

Specifications above are for reference only and may vary without prior notice