

# BLUE SPRING III

INDIRECT IP66 PARK LIGHT

**GPL801**

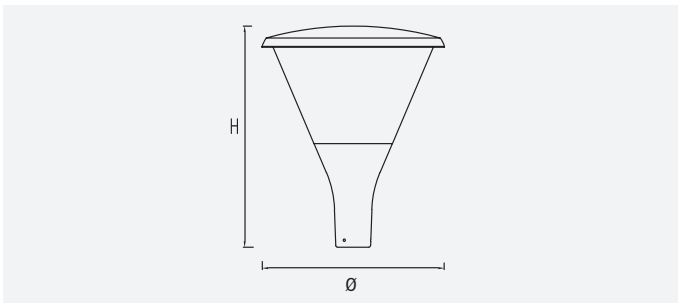


## FEATURES

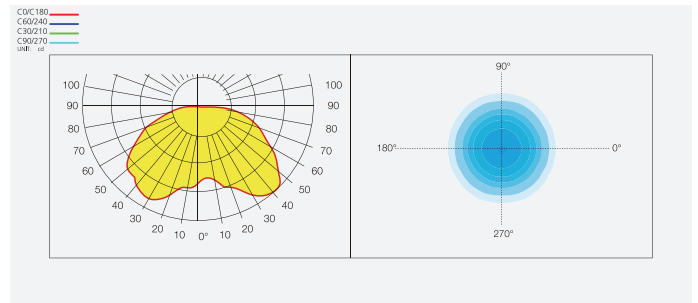
- Die cast aluminium body
- PC diffuser
- Surface anti-ageing electrostatic spray processing, super resistance to corrosion
- Fixing: Top fitting Ø60mm
- LED lifespan: 50000 Hours @ L70, Ta 25°C
- Ta: -35°C to +45°C



## DIMENSION



## PHOTOMETRIC DATA



## TECHNICAL SPECIFICATIONS

MODEL NO.	INPUT VOLTAGE (V)	POWER (W)	LUMEN (lm)	COLOUR TEMPERATURE (K)	CRI	DIMENSIONS (Ø×H) (mm)	FITTING COLOUR	NET WEIGHT (kg) (LIGHT HEAD)
GPL801 WW BK	230	30	2100	3000	>75	500 x 635	Black	7.4