

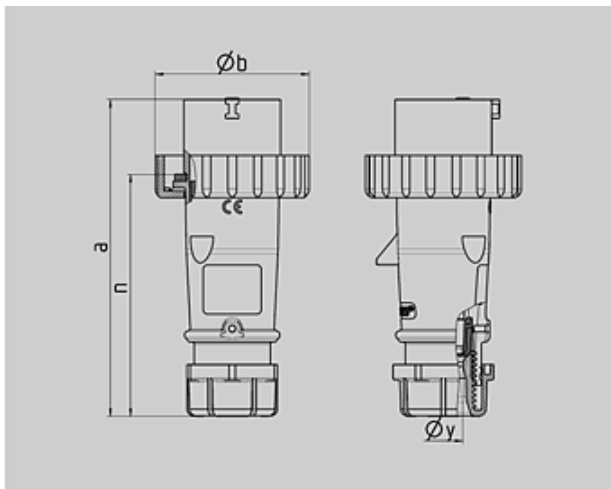


Part no. : 2175A

32A4P 3H400-440V
Stecker AM-TOP IP67

with high heat resistant contact carriers and nickel plated contacts

with cable gland



Drawing	Amp.	16			32		
		2 MB 218 Poles			3	4	5
Dim. in mm	a	142	144	147	186	186	180
	b	70	78	87	94	94	101
	n	109	111	114	145	145	138
	y	14,5	16	16	22	22	22
Terminal for cond. cross section (mm ²) min.-max.		1	1	1	2,5	2,5	2,5
		-2,5	-2,5	-2,5	-6	-6	-6

Article-group : 2149

voltages : 400-440V

rated current : 32A

pole : 4 pole


IP protection types : IP67

position of ground contact : 3h

packing unit : 0010

weight : 316 g

PART NUMBERS

V	400-440V
colour	
amp.	
32 A	4
	2175A