

Product data sheet

Characteristics

XBH1AA0R4

Harmony XB5, Digital panel meter, plastic, black, Ø22, 4 digit red LED display, 4...20 mA input



Main

Range of product	Harmony XB5
Product or component type	Display module
Display digits	4 digit(s) - 14 mm in height

Complementary

Display type	7 segments LED
Display colour	Red
Display projection	-999...9999
Accuracy	+/- 0.15 % of the measuring range + 1 digit
Solid state output type	2 x power MOSFET
Discrete output voltage	30 V DC
Discrete output current	0.5 A
Brightness	Fixed
Analogue input range	4...20 mA DC
Maximum voltage drop	6 V
Temperature drift	50 ppm/°C
Mounting diameter	22.5 mm
Connections - terminals	Spring terminals, clamping capacity: 1 x 0.2...1 mm ² (AWG 24...AWG 17)
Housing material	Plastic
Flame retardance	UL94-V1
Tightening torque	1.3 N.m +/- 0.2 N.m 11.5 lb.in +/- 1.8 lb.in
Width	51.5 mm
Height	29.5 mm
Depth	78.2 mm
Product weight	0.032 kg

Environment

Ambient air temperature for operation	-20...60 °C
Ambient air temperature for storage	-20...85 °C
Vibration resistance	5 gn (f= 2...500 Hz) conforming to IEC 60068-2-6
IP degree of protection	IP65 (front panel) conforming to IEC 60529
Standards	EN 61326-1

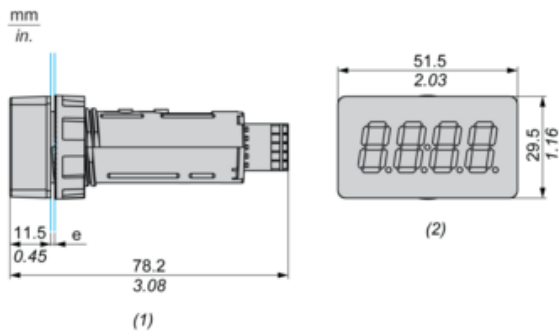
Packing Units

Unit Type of Package 1	PCE
Number of Units in Package 1	1
Package 1 Weight	66 g
Package 1 Height	4 cm
Package 1 width	8.5 cm
Package 1 Length	13 cm
Unit Type of Package 2	S03
Number of Units in Package 2	62
Package 2 Weight	4.675 kg
Package 2 Height	30 cm
Package 2 width	30 cm
Package 2 Length	40 cm

Offer Sustainability

EU RoHS Directive	Under investigation
WEEE	The product must be disposed on European Union markets following specific waste collection and never end up in rubbish bins

Dimensions



e : Clamping thickness 1 to 6 mm

(1) : Side view

(2) : Front view

Mounting and Clearance

Panel Cut-out for Digital Display

