

Catalogue No: **800H-AR2**

PB 30.5mm BOOTLESS FLUSH HD MOM N/ILL BLACK

Operator Control Devices > Pushbuttons and Control Switches > Pushbuttons and Pilot Lights > Allen-Bradley 800T/800H Pushbuttons > 30.5 mm Pushbuttons > Momentary Contact Push Buttons Units, Non-Illuminated



Pushbutton 30.5mm Plastic Flush HD Black Operator Only



- 800T (metal) and 800H (plastic) 30.5 mm product lines are designed and constructed to perform in the most demanding industrial environments.
- Button caps made from thermoplastic polyester resin and deliver excellent resistance to corrosive agents and ensure color identification is never lost.
- Operator bushings are made from die cast zinc alloy giving strength and stability in installation.
- Riveted construction of the operator bushing, diaphragm seal and base plate, by four secure steel rivets, provides increased durability and tamper resistance.

Representative Photo Only
(actual product may vary based on configuration selections)

SPECIFICATIONS

Product Series	800H
Component Type Pushbutton and Pilot Lights	Pushbutton
Operator Type	Pushbutton, Flush type
Operator Action	Momentary action
Diameter, Operator	34.9 mm
Colour, Operator	Black colour
Material, Operator	Plastic material
Material, Bezel	Glass-Filled Nylon / PA6 / PA66 (Polyamide 6)
Coupling Plate Included	No Y / N
Diameter, Mounting Hole(s)	30.5 mm
Contact Block Included	No
Illuminated	No Y / N
Electrical Service Life at Un, In	1000000 cycles
Mechanical Service Life	10000000 cycles
Operating Temperature, Max	55 °C max
Operating Temperature, Min	-40 °C min
Storage Temperature, Max	85 °C max
Storage Temperature, Min	-40 °C min
Relative Humidity, Min	50 %RH
Relative Humidity, Max	95 %RH
IP Rating	IP65 IP66
Shock Acceleration (Max.)	100 g
Shock Duration (Max.)	11 ms
Vibration Acceleration (Max.)	10 m/s ²
Vibration Displacement (Peak to Peak Max.)	1.52 mm
Vibration Frequency, Operational (Max.)	2000 Hz

Catalogue No: **800H-AR2**

PB 30.5mm BOOTLESS FLUSH HD MOM N/ILL BLACK

Operator Control Devices > Pushbuttons and Control Switches > Pushbuttons and Pilot Lights > Allen-Bradley 800T/800H Pushbuttons > 30.5 mm Pushbuttons > Momentary Contact Push Buttons Units, Non-Illuminated



Standards Compliance

UL 508
CSA C22.2 No. 14
EN 60947-5-1
EN 60947-5-5
ISO 13850

Certifications

CE
CSA
UL
CCC

REFERENCES

IECEx Certificate

-

Supplier Declaration of Conformity:

-

Installation Guide:

-

User Manual:

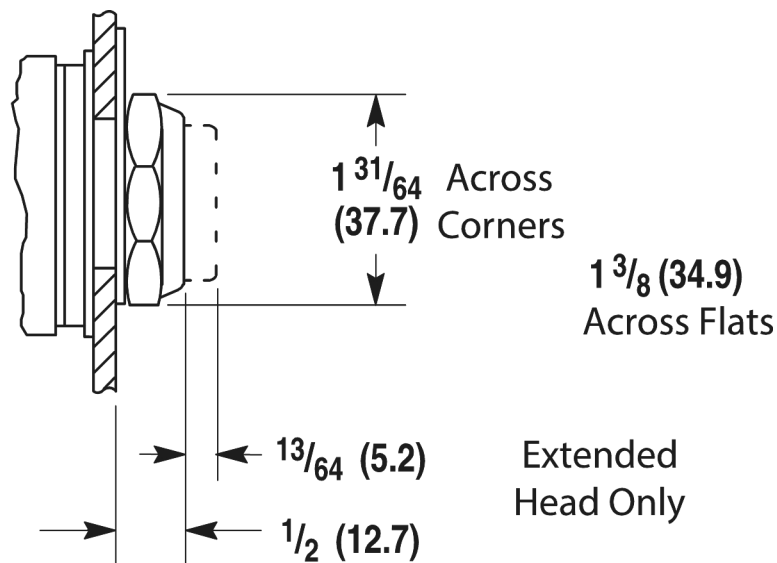
-

Manufacturer Datasheet:

[800HAR2_Manufacturer Datasheet](#)

Manufacturer Catalogue & Product Selection:

[800HAR2_Manufacturer Catalogue](#)



**Bootless Flush and Extended Head
Momentary Contact Push Button
Shipping Weight. 5-1/2 oz (0.16 kg)**

Dimension Diagram