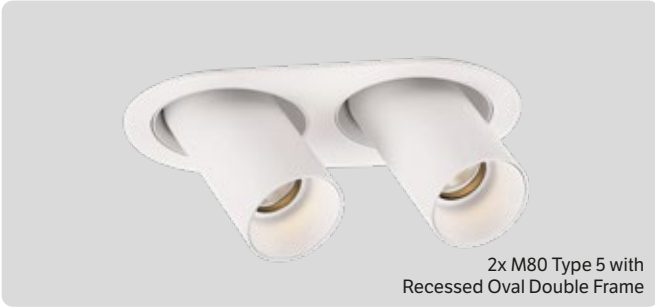




M80 Type 5 with Trimless Frame



2x M80 Type 5 with Recessed Oval Double Frame

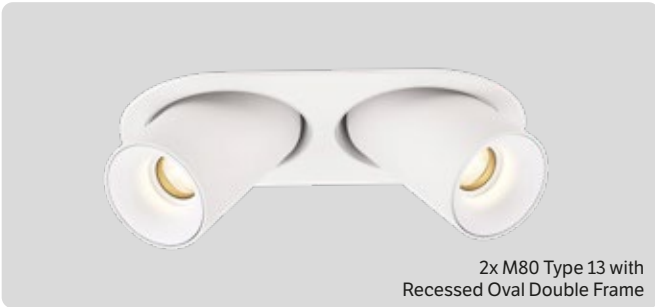
M80-T5 Type 5 - Dark Art Adjustable Spot

Watts 9W / 260mA DC **Lumens** <720lm

Beam 36° **Tilt/Rotate** 38°/355°



M80 Type 13 with Trimless Frame



2x M80 Type 13 with Recessed Oval Double Frame

M80-T13 Type 13 - Dark Art Adjustable Spot

Watts 12W / 350mA DC **Lumens** <950lm

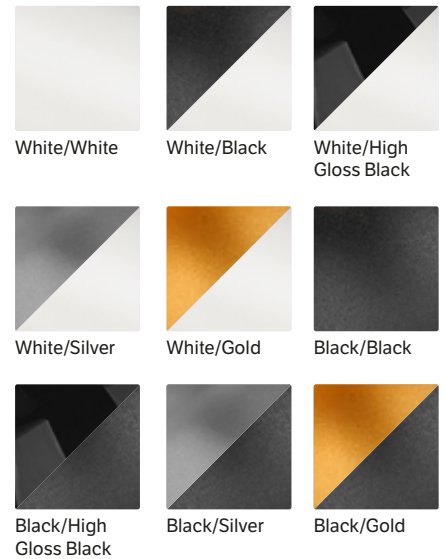
Beam 45° **Tilt/Rotate** 40°/355°



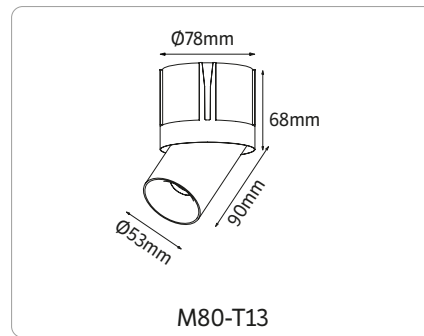
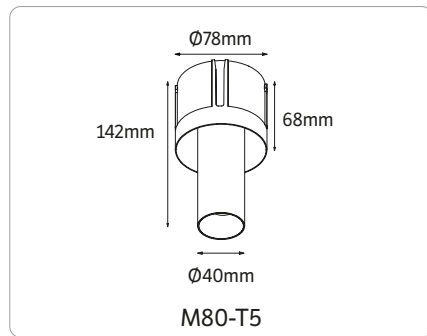
Specifications

CCT	3000K
Binning	SDCM 2
Lifespan	105,000hrs (L90 B10)
UGR	Suitable for installations requiring UGR of less than 19.

Material	Aluminium
CRI	97
IP Rating	IP43
Classification	IC Rated
Driver	Sold separately
Warranty	5 Year Warranty

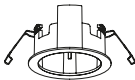
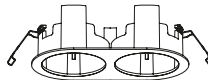
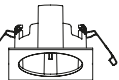
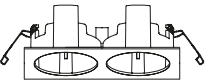

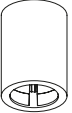


Dimensions



Step 1: Choose Installation Frame

See pages 200-201 for frame details

						
	Recessed Round	Recessed Oval Double	Recessed Square	Recessed Rectangular Double	Trimless	Surface Cylinder
Dimensions	Ø102 x H62mm	L192 x W102 x H62mm	L102 x W102 x H62mm	L192 x W102 x H62mm	Ø170 x H68mm	Ø106 x H146mm
Cut Out	Ø95mm	2x 95mm @ 90mm centres	Ø95mm	2x 95mm @ 90mm centres	Ø130mm	-
White Code	F80-RR-W	F80-RR2-W	F80-RSQ-W	F80-RSQ2-W	F80-TL-R	SF80-RR-W
Black Code	F80-RR-B	F80-RR2-B	F80-RSQ-B	F80-RSQ2-B	-	SF80-RR-B

Step 2: Choose Module Type

Model	Type	Trim/Body Colour	Reflector Colour	CCT	Beam
M80	T5	W (White), B (Black)	W (White), HGB (High Gloss Black), B (Black), S (Silver), G (Gold)	3K	36D
M80	T13	W (White), B (Black)	W (White), HGB (High Gloss Black), B (Black), S (Silver), G (Gold)	3K	45D

Step 3: Select your Driver

	TRIAC Dimmable	Dali	Casambi
M80-T5	DCC260-DX-12W	DCC180500-DD-1012W @ 260mA	DCC260700-CAS-1325W @ 260mA
M80-T13	DCC350-DX-20W	DCC260700-DD-1625W @ 350mA	DCC260700-CAS-1325W @ 350mA

Configuration Example: For a Recessed Single M80-T5 Dark Art Adjustable Spot in White with a Silver Reflector and a TRIAC Dimmable Driver, the following three components must be ordered. (1) Recessed Frame: F80-RR-W (2) Light Module: M80-T5-WS3K-36D (3) Dimmable Driver: DCC260-DX-12W.