



M40-T2

Type 2 - Lotus

Watts 6.5W / 200mA

Lumens <500lm

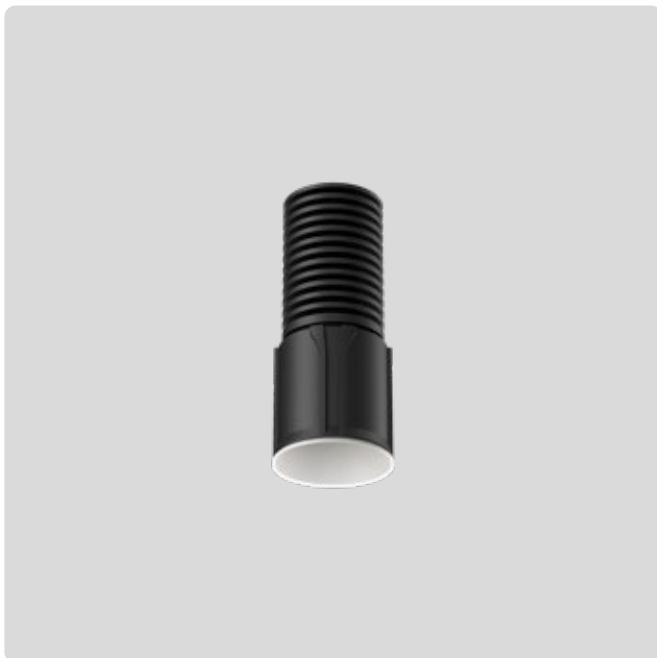
Beam 36°



M40 Type 2 with
Recessed Round Frame



M40 Type 2 with
Trimless Frame



M40-T3

Type 3 - Dark Art Fixed

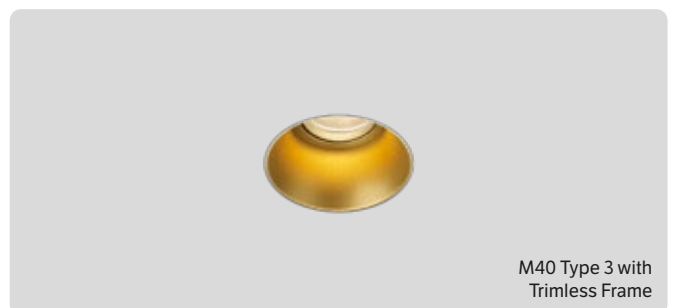
Watts 6.5W / 200mA

Lumens <590lm

Beam 36°



M40 Type 3 with
Recessed Round Frame



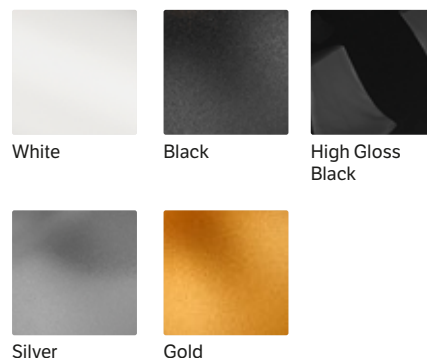
M40 Type 3 with
Trimless Frame



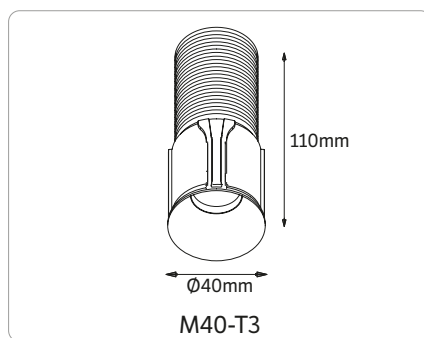
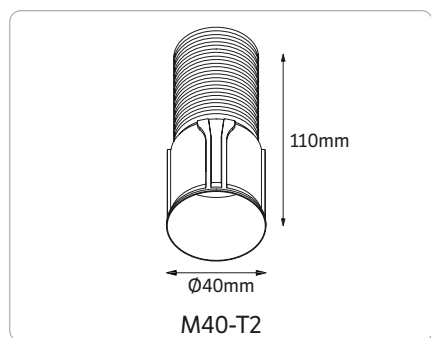
Specifications

CCT	3000K
Binning	SDCM 2
Lifespan	105,000hrs (L90 B10)
UGR	Suitable for installations requiring UGR of less than 19.

Material	Aluminium
CRI	97
IP Rating	IP43
Classification	IC Rated
Driver	Sold separately
Warranty	5 Year Warranty

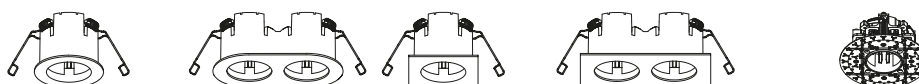


Dimensions



Step 1: Choose Installation Frame

See pages 132-133 for frame details



	Recessed Round	Recessed Oval Double	Recessed Square	Recessed Rectangular Double	Trimless
Dimensions	Ø63 x H50mm	L116 x W63 x H50mm	L63 x W63 x H50mm	L116 x W63 x H50mm	Ø105 x H52mm
Cut Out	Ø57mm	2x Ø57mm @53mm centres	Ø57mm	2x Ø57mm @53mm centres	Ø85mm
White Code	F40-RR-W	F40-RR2-W	F40-RSQ-W	F40-RSQ2-W	F40-TL-R
Black Code	F40-RR-B	F40-RR2-B	F40-RSQ-B	F40-RSQ2-B	

Step 2: Choose Module Type

Model - Type - Reflector Colour	CCT - Beam
M40 - T2 - W (White), B (Black)	3K - 36D
M40 - T3 - W (White), HGB (High Gloss Black), B (Black), S (Silver), G (Gold)	3K - 36D

Step 3: Select your Driver

	TRIAC Dimmable	Dali	Casambi
M40-T2	DCC120200-DMS-5W8W @ 200mA	DCC150700-DDM-612W @ 200mA	DCC150500-CAS-712W @ 180mA (does not fit through cutout, ceiling access required)
M40-T3	DCC120200-DMS-5W8W @ 200mA	DCC150700-DDM-612W @ 200mA	DCC150500-CAS-712W @ 180mA (does not fit through cutout, ceiling access required)

Configuration Example: For a Trimless Single M40-T2 Lotus in White and a TRIAC Dimmable Driver, the following three components must be ordered. (1) Trimless Frame: F40-TL-R (2) Light Module: M40-T2-W3K-36D (3) Dimmable Driver: DCC120200-DMS-5W8W.